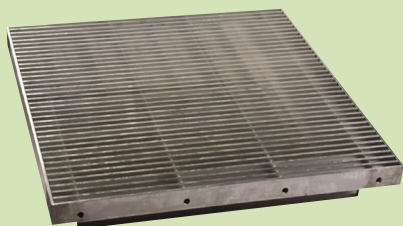


HYLM

Linear Floor Grille



DESCRIPTION

- *HYLM: Floor Linear Grille*

MATERIAL

All of the product frame and blades are manufactured from extruded aluminium profile. Grille blades are connected with transmission steel shaft.

APPLICATION

This is an air transfer component for air conditioning units of premises with raised floors. Although it resembles the linear grille, its different application area means it is more durable and resists impacts. An optional damper can be attached for regulation. Floor linear grilles frames and blades are made from aluminium and only 1st class aluminium profiles are used.

SURFACE COATING

- *Electrostatic powder coating (Standard colours are RAL 9010 and RAL 9016)*
- *Aluminium anodised*
- *As an option, all the colours in other RAL codes can be provided.*

FRAME TYPES

- *30 mm frame*
- *40 mm frame*

ASSEMBLY

- *They are mounted directly on the floor, screw fixing is not needed.*

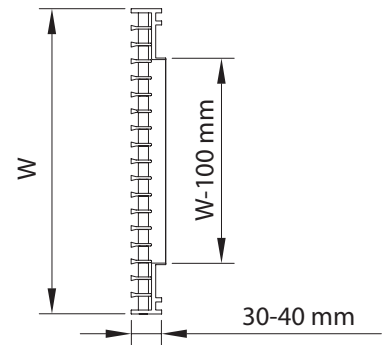
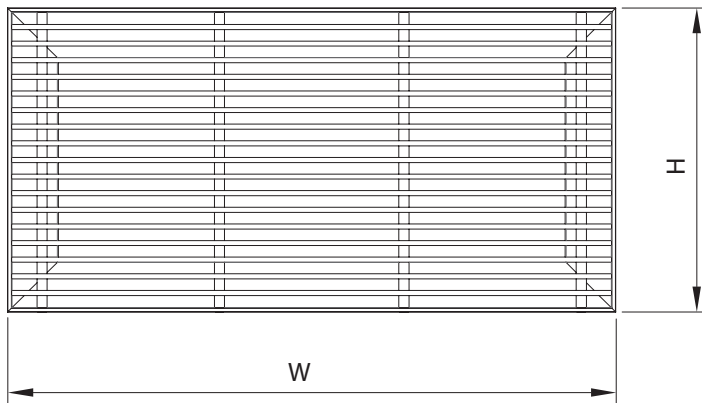
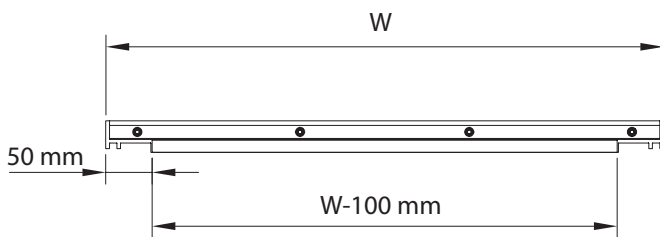
HYLM

Linear Floor Grille

FLOOR LINEAR GRILLE DIMENSIONS and EFFECTIVE AREAS

W: Floor linear grille width (mm)

H: Floor linear grille height (mm)



Aeff (m ²)		W (mm)														
		200	250	300	350	400	450	500	550	600	700	800	900	1000	1100	1200
H (mm)	200	0.007	0.011	0.014	0.018	0.022	0.025	0.029	0.032	0.036	0.043	0.051	0.058	0.065	0.072	0.079
	300	0.014	0.022	0.029	0.036	0.043	0.051	0.058	0.065	0.072	0.087	0.101	0.116	0.130	0.144	0.159
	400	0.022	0.032	0.043	0.054	0.065	0.076	0.087	0.097	0.108	0.130	0.152	0.173	0.195	0.217	0.238
	500	0.029	0.043	0.058	0.072	0.087	0.101	0.116	0.130	0.144	0.173	0.202	0.231	0.260	0.289	0.318
	600	0.036	0.054	0.072	0.090	0.108	0.126	0.144	0.162	0.181	0.217	0.253	0.289	0.325	0.361	0.397

HYLM

Linear Floor Grille

FLOOR LINEAR GRILLE QUICK SELECTION TABLE

A_{eff} (m²): Effective area
U_{eff} (m/s): Effective velocity
V (m³/h): Air flow rate
X (m): Throw distance
ΔPt (Pa): Total pressure drop
SPL (dBA): Sound level

V (m ³ /h)		A _{eff} (m ²)																				
		0.014	0.022	0.032	0.043	0.051	0.058	0.065	0.072	0.087	0.097	0.108	0.116	0.126	0.144	0.162	0.181	0.217	0.260	0.318	0.397	
200	ueff. (m/s)	4.0	2.5																			
	X (m)	4.2	2.8																			
	ΔPt (Pa)	11	4																			
	SPL (dBA)	15	9																			
250	ueff. (m/s)	5.0	3.2	2.2																		
	X (m)	5.2	3.7	2.7																		
	ΔPt (Pa)	15	10	4																		
	SPL (dBA)	22	15	11																		
300	ueff. (m/s)	6.0	3.8	2.6	1.9																	
	X (m)	6.1	4.1	3.3	2.4																	
	ΔPt (Pa)	20	12	5	4																	
	SPL (dBA)	26	17	13	10																	
350	ueff. (m/s)	6.9	4.4	3.0	2.3																	
	X (m)	7.2	4.9	3.8	3.1																	
	ΔPt (Pa)	29	15	7	5																	
	SPL (dBA)	31	22	15	11																	
400	ueff. (m/s)		5.1	3.5	2.6	2.2																
	X (m)		6.1	4.9	4.2	3.3																
	ΔPt (Pa)		21	9	6	5																
	SPL (dBA)		25	19	15	12																
500	ueff. (m/s)		6.3	4.3	3.2	2.7	2.4	2.1														
	X (m)		6.6	5.5	5.0	4.5	3.9	3.6														
	ΔPt (Pa)		22	14	8	7	6	5														
	SPL (dBA)		28	22	19	17	15	13														
600	ueff. (m/s)			5.2	3.9	3.3	2.9	2.6	2.3	1.9												
	X (m)			6.5	5.5	5.1	4.8	4.5	4.2	3.8												
	ΔPt (Pa)			19	11	8	7	6	5	5												
	SPL (dBA)			27	20	17	16	15	13	12												
700	ueff. (m/s)			6.1	4.5	3.8	3.4	3.0	2.7	2.2												
	X (m)			7.5	6.2	5.8	5.5	5.2	4.9	4.3												
	ΔPt (Pa)			25	13	11	9	8	7	6												
	SPL (dBA)			30	25	20	17	16	14	12												
800	ueff. (m/s)			6.9	5.2	4.4	3.8	3.4	3.1	2.6	2.3	2.1										
	X (m)			8.2	7.3	6.7	6.1	5.8	5.5	5.1	4.7	4.5										
	ΔPt (Pa)			32	18	15	12	9	8	6	5	4										
	SPL (dBA)			33	27	24	22	20	17	14	13	12										
900	ueff. (m/s)				5.8	4.9	4.3	3.8	3.5	2.9	2.6	2.3	2.0									
	X (m)				8.1	7.6	7.1	6.6	6.2	5.6	5.3	5.1	4.9	4.5								
	ΔPt (Pa)				29	19	15	12	10	7	6	6	5	4								
	SPL (dBA)				32	28	25	24	22	17	15	14	13	12								

HYLM

Linear Floor Grille

FLOOR LINEAR GRILLE QUICK SELECTION TABLE

V (m³/h)		Aeff (m²)																				
		0.014	0.022	0.032	0.043	0.051	0.058	0.065	0.072	0.087	0.097	0.108	0.116	0.126	0.144	0.162	0.181	0.217	0.260	0.318	0.397	
1000	ueff. (m/s)				6.5	5.4	4.8	4.3	3.9	3.2	2.9	2.6	2.4	2.2								
	X (m)				8.5	8.1	7.7	7.3	6.6	6.2	5.8	5.5	5.0	4.8								
	ΔPt (Pa)				29	20	16	14	11	8	7	5	5	4								
	SPL (dBA)				34	30	28	25	24	20	17	15	13	12								
1200	ueff. (m/s)				6.5	5.7	5.1	4.6	3.8	3.4	3.1	2.9	2.6	2.3	2.1							
	X (m)				8.7	8.3	7.9	7.6	7.2	6.7	6.3	6.0	5.7	5.2	5							
	ΔPt (Pa)				28	23	19	15	10	9	8	7	6	5	4							
	SPL (dBA)				34	32	30	27	24	23	21	17	15	13	12							
1400	ueff. (m/s)					6.7	6.0	5.4	4.5	4.0	3.6	3.4	3.1	2.7	2.4	2.1						
	X (m)					8.9	8.5	8.2	7.8	7.4	7.1	6.8	6.5	6.2	5.8	5.4						
	ΔPt (Pa)					31	25	21	15	12	10	9	8	5	5	4						
	SPL (dBA)					34	33	32	28	25	24	23	20	17	14	13						
1600	ueff. (m/s)						6.8	6.2	5.1	4.6	4.1	3.8	3.5	3.1	2.7	2.5	2.0					
	X (m)						9.1	8.7	8.4	8.1	7.6	7.3	7.0	6.7	6.4	6.1	5.6					
	ΔPt (Pa)						33	27	20	16	13	11	9	7	6	5	4					
	SPL (dBA)						36	34	32	29	27	25	23	21	18	16	13					
1800	ueff. (m/s)							6.9	5.7	5.2	4.6	4.3	4.0	3.5	3.1	2.8	2.3					
	X (m)							9.3	8.9	8.6	8.3	8.0	7.8	7.4	7.0	6.7	6.2					
	ΔPt (Pa)							34	24	19	16	14	12	10	8	7	5					
	SPL (dBA)							37	33	32	30	28	27	24	22	20	16					
2000	ueff. (m/s)								6.4	5.7	5.1	4.8	4.4	3.9	3.4	3.1	2.6	2.1				
	X (m)								9.3	9.1	8.7	8.5	8.2	8.0	7.6	7.2	6.7	6.2				
	ΔPt (Pa)								30	25	21	18	15	12	9	7	6	5				
	SPL (dBA)								35	33	32	31	28	26	23	22	19	17				
2500	ueff. (m/s)										6.4	6.0	5.5	4.8	4.3	3.8	3.2	2.7	2.2			
	X (m)										9.5	9.2	8.9	8.7	8.3	8.1	7.5	6.9	6.4			
	ΔPt (Pa)										30	26	23	17	14	11	9	6	5			
	SPL (dBA)										36	34	32	31	28	26	23	21	17			
3000	ueff. (m/s)												6.6	5.8	5.1	4.6	3.8	3.2	2.6	2.1		
	X (m)												9.7	9.3	9.0	8.7	8.3	7.8	7.3	6.8		
	ΔPt (Pa)												32	25	20	16	12	10	8	7		
	SPL (dBA)												38	35	33	32	28	26	22	19		
4000	ueff. (m/s)															6.1	5.1	4.3	3.5	2.8		
	X (m)															9.5	9.2	8.6	8.2	7.7		
	ΔPt (Pa)															29	24	15	12	9		
	SPL (dBA)															36	34	33	29	24		
5000	ueff. (m/s)																6.4	5.3	4.4	3.5		
	X (m)																9.9	9.4	8.8	8.4		
	ΔPt (Pa)																31	26	18	14		
	SPL (dBA)																37	35	33	30		